



BIRCH HOUSE LANE,  
COTES, SWYNNERTON,  
STAFFORDSHIRE. ST15 0QQ.  
ENGLAND

TEL: +44 (0)1782 791755 FAX: +44 (0)1782 791617



Birch House Lane, Cotes Heath, Staffs. ST15 0QQ. Tel: 01782 791755 Fax: 01782 791617

## OPERATING & MAINTENANCE FOR THE SPORTSMAN MkII

### Charging with air & loading.

1. Unlatch the main lever by pulling backwards on the rubber handle. Allow the lever to open 2 / 3".
2. Engage the safety catch by pressing down on the right hand side of the safety lever at the rear of the action.
3. Turn the brass bolt handle 90 degrees to the right and pull back the bolt as far as it will go. This will open the bolt and cock the hammer at the same time.
4. Open the main lever to its fullest extent.
5. Rest the butt of the rifle on the left thigh, and using the weight of the shoulder rather than arm movement, push the lever downwards to compress the air in the reservoir. At the end of the stroke, lock the lever back in position on the lever catch pin.

**CAUTION.** Take care not to allow your fingers to be trapped against the lever catch pin or the main tube as the lever closes. Use the palm of your hand to press the lever on to the latch.

One pump of the lever will provide ample power for practice and plinking purposes, and it is recommended that only one pump is used until you have become familiar with the operation of the rifle.

For maximum power for hunting or longer range target purposes, repeat the pumping operation a second time.

**NB.** The Daystate Sportsman MkII is designed to produce power levels close to the UK legal limit on two pumps only. Pumping the rifle a third time will cause a pressure relief valve to operate, and will result in inconsistent velocities.

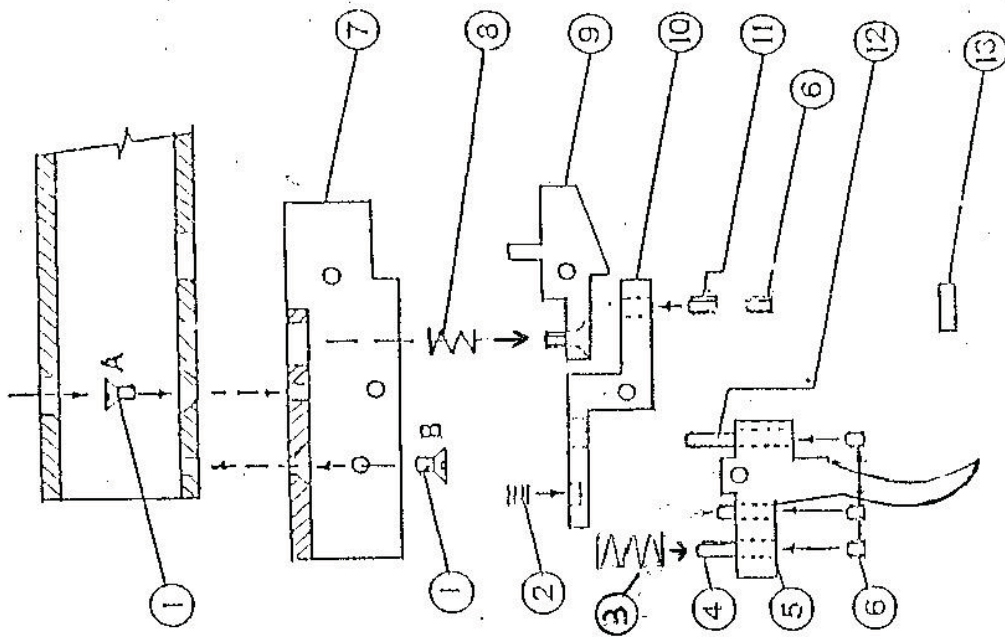
6. Once the main lever has been returned to its locking position, place a pellet in the breech aperture.
7. Close the bolt and turn the handle 90 degrees to the left to lock it in place.
8. Ensuring that the rifle is always pointing in a safe direction press down the left hand side of the safety catch when ready to fire.

### Maintenance.

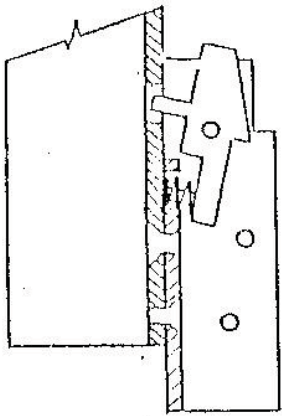
The piston assembly should be kept lightly lubricated with a silicone based oil or synthetic oil DO NOT over oil, since this will adversely affect both piston and valve operation.

### WARRANTY

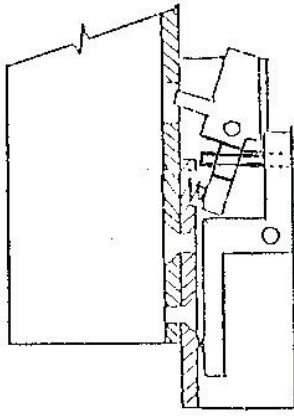
12 months warranty on failure of any Daystate parts from date of purchase. Proof of purchase required. Warranty does not cover: 1. Seals 2. Springs 3. Failure due to fair wear and tear of misuse or abuse. Warranty is void if gun is adapted or fitted with parts other than genuine Daystate spares.



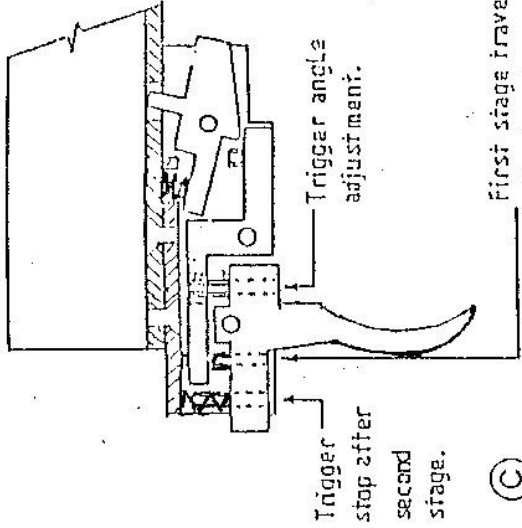
No	Description	Qty	No	Description	Qty
1	Trigger Block Fixings	2	8	Trigger Sear Spring	1
2	Trigger Lever Spring	1	9	Trigger Sear	1
3	Trigger Spring	1	10	Trigger Lever	1
4	Trigger Travel Screw	1	11	Trigger Lever Adjuster	1
5	Trigger	1	12	Trigger Angle Adjuster	1
6	Locking Set Screw	4	13	Dowel	3
7	Trigger Block	1			



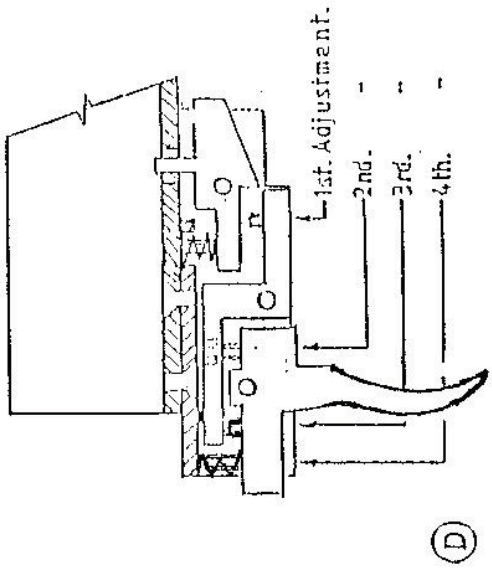
(A)



(B)



(C)



(D)

DAYSTATE

The Copy right of this drawing is the property of DAYSTATE LTD. This drawing is issued on the condition that it is not copied, reproduced or disclosed to a third party without permission.



Birch House Lane, Cotes Heath, Staffs. ST15 0QQ. Tel: 01782 791755 Fax: 01782 791617

## THE DAYSTATE SPORTSMAN MkII

The Sportsman MkII is the latest in a long line of innovative products from Daystate Ltd. This unique rifle has been designed specifically for those shooters who require the technical and functional advantage of a pneumatic rifle, but prefer to avoid the added cost and complexity of air cylinders and charging sets.

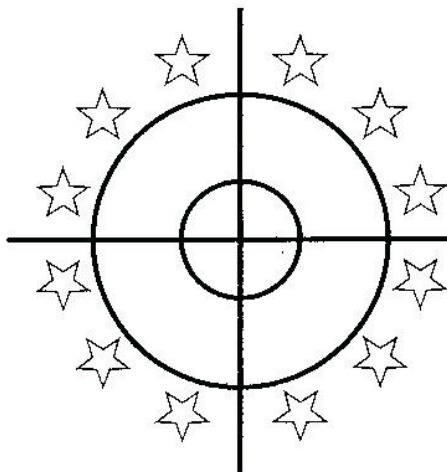
In the early 1980's Daystate produced the Sportsman Mk I, a Multi-pump rifle which soon established an enviable reputation for performance and quality. Unfortunately, manufacturing capacity constraints and associated high cost levels made it uneconomic to produce, and production was suspended. Ever since then, Daystate have regularly been requested by their dealers and customers to produce an updated version.

The Sportsman MkII is the result of two years of intensive development and testing, with the twin objectives of producing a rifle which would not only meet all the technical and functional requirements of today's discerning buyer, but which could also be offered at an extremely competitive price.

The first technical objective was to reduce the number of pump strokes required to produce the required power outputs, and this has been achieved. One easy pump of the side mounted lever produces ample power for practice and plinking purposes, and a second stroke produces a muzzle energy close to the legal limit for hunting purposes. If more than two strokes of the lever are used, a unique design of relief valve comes into operation to ensure that the legal limit is not exceeded.

The technical features of the Sportsman MkII are:

Action:	2 Stroke pump pneumatic, single shot bolt action.
O/a length:	38" (95cm)approx.
Barrel length:	20.5" (52.5cm)approx.
Calibre:	.22cal
Weight:	8.5lbs (3.8kg)approx.
Safety:	Manual
Stock types:	Beech or Walnut.



## THE SPORTSMAN MKII



SCOPE OPTIONAL

### TECHNICAL DATA

Action	2 Stroke pump pneumatic, single shot bolt action.
O/a length	38" 96.5cm approx.
Barrel length	20 1/2" 52.5cm
Calibre	.22, .25
Weight	8.5lbs 3.85kg
Safety	Manual
Stock types	Beech or Walnut

### PERFORMANCE

.22cal	2 PUMPS at 12ft lbs
.25cal	2 PUMPS at 12ft lbs

### FAC VERSION

All calibre's are available in Firearms certificate form (see below)

.22cal	5 PUMPS FAC version up to 20ft lbs
.25cal	5 PUMPS FAC version up to 25ft lbs

### SPORTSMAN MKII

The Sportsman MkII is the latest in a long line of innovative products from Daystate Ltd. This unique rifle has been designed specifically for those shooters who require the technical and functional advantage of a pneumatic rifle, but prefer to avoid the added cost and complexity of air cylinders and charging sets.

The Sportsman MkII is the result of two years of intensive development and testing, with the objective of producing a rifle which would not only meet all the requirements of today's discerning buyer, but which could also be offered at an extremely competitive price.

The first technical objective was to reduce the number of pump strokes required to produce the required power outputs, and this has been achieved. One easy pump of the side mounted lever produces ample power for practice and plinking purposes, and a second stroke produces a muzzle energy close to the legal limit for hunting purposes. If more power than two strokes of the lever are used, a unique design of relief valve comes into operation to ensure that the legal limit is not exceeded.

## DAYSTATE LTD

BIRCH HOUSE LANE, COTBS, SWYNNERTON,  
Nr. STONE, STAFFORDSHIRE, ST15 0QQ,  
GREAT BRITAIN.

TEL: +44 (0)1782 791755 FAX: +44 (0)1782 791617

WE RESERVE THE RIGHT TO ALTER THE SPECIFICATION WITHOUT PRIOR NOTIFICATION  
ALL WEIGHTS ARE APPROXIMATE DUE TO VARIANCE IN STOCKS